

IMUX Parallel Input/Output Submodules TTL PAR-411/412

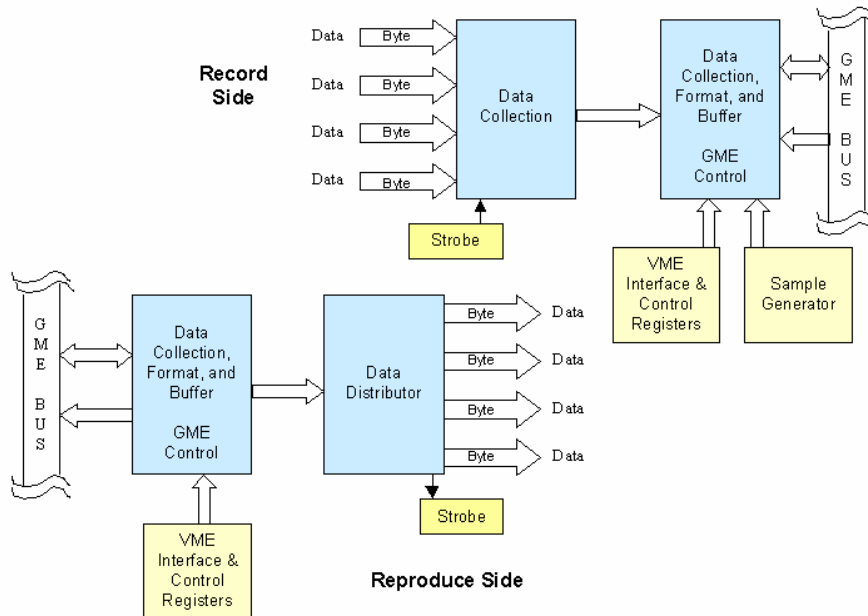
Features

- Accepts Synchronous and Asynchronous Data
- Single-ended Signal Interface
- Complete Data Reconstruction
- 16- or 32-bit Selectable Data Sizes
- Up to 4 Parallel Ports per Quadraplex Card



Introduction

The Parallel Input and Output modules support data rates up to 10,000,000 samples/second. The PAR-411 and -412 daughterboard interface cards plug into the Quadraplex board in both the airborne and laboratory chassis. The Parallel modules accept data in selectable formats of 16- to 32-bit data words in a mix-and-match format for a total of 32 bits per transfer. The Parallel module inputs its data to the recorder, up to 10,000,000 samples per second, by both a user-provided data strobe (for data driven applications) and by internal user-selected data rates (for sample-driven applications).



Inputs	Data Sources	Up to 16 inputs
	Timing Sources	Internal or external strobes
	Signal Levels	Differential TTL
	Operating Range	Internal clocked, DC to 10,000,000 SPS
	Operating Range	External clocked, DC to 10,000,000 SPS
Processing	Data Control	Selectable parameter sizing, 8 to 32 bits per transfer
Outputs	Data Output	Up to 16 outputs
	Timing Sources	Internal or external data strobe
	Signal Levels	Differential TTL
	Operating Range	Internal clocked, DC to 10,000,000 SPS
	Operating Range	External clocked, DC to 10,000,000 SPS
Electrical and Environmental	Form Factor	Quadraplex submodule
	Connectors	Motherboard I/O
	Indicators	Channel active and FIFO overflow
	Operating Temperature	32 - 158 °F (0 - 70 °C)
	Storage Temperature	14 –185 °F (-10 - 85 °C)
	Operating Altitude	0 to 10,000 feet (0 to 3,100 meters)
	Storage Altitude	-1,000 to 20,000 feet (-300 to 6,200 meters)
	Humidity	20 to 95% noncondensing
Ordering Codes	PAR-411	IMUX Parallel Input, S.E.
	PAR-412	IMUX Parallel Output, S.E.