

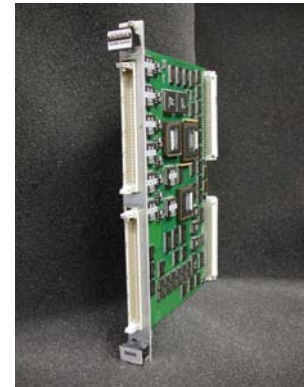
Multi-Channel Analog Input and Output Cards ANL-403/10-01 and ANL-404/10-01

Features

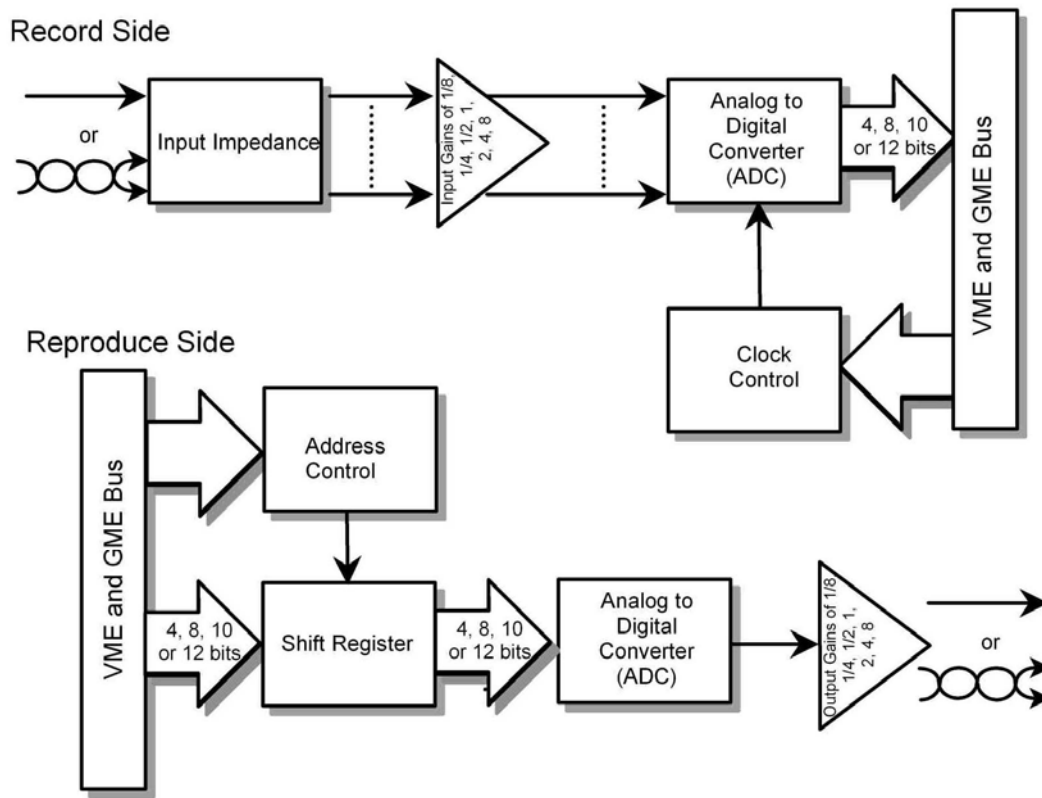
- Input to 10,000,000 Samples/Second
- Selectable Internal Clock Rates
- User-selectable High and Low Impedance

Introduction

The Multi-Channel Analog Input and Output cards support data digitizing and reproduction rates of up to 10 MSPS. Working in tandem with the Quadraplex motherboard and other signal module types, the multichannel cards support the widest range for input and output signal-level impedance and gain settings.



The user can choose 2, 4, 8, 10, or 12-bit resolution (4 bits for better than 6.25% resolution and up to 12 bits for better than 0.03% resolution). To meet individual user requirements, options are also provided for gain, impedance, and data-digitizing rate.



Inputs	Data Sources	Ten (10)
	Data Impedance	Selectable; 75 ohms (low) and 10,000 ohms (high)
	Signal Levels	Differential or single-ended
	Operating Range	122 SPS to 10 MSPS
	Input Gains	1, 2, 4, 8, 1/2, 1/4, and 1/8
	Operating Range/Card	Up to 480 Mbps
	Operating Range/System	Up to 512 Mbps
Processing	Resolution	Selectable 2, 4, 8, 10, and 12-bit
Outputs	Data Sources	Ten (10)
	Current	250 mA(max)
	Signal Levels	10V peak-to-peak
	Operating Range	122 SPS to 10 MSPS
	Input Gains	1, 2, 4, 8, 1/2, 1/4 and 1/8
	Operating Range/Card	Up to 480 Mbps
	Operating Range/System	Up to 512 Mbps
Electrical and Environmental	Form Factor	VME 6U board
	Connectors	44 pin
	Indicators	Channel active and FIFO overflow
	Operating Temperature	32 °F – 158 °F (0 °C – 70 °C)
	Storage Temperature	14 °F – 185 °F (-10 °C – 85 °C)
	Operating Altitude	0 to 10,000 feet (0 to 3,000 meters)
	Storage Altitude	-1,000 – 20,000 feet (-300 to 6,200 meters)
	Humidity	20 to 95% noncondensing

Ordering Information

ANL-403/10-01	Multi-Channel Analog Input
ANL-404/10-01	Multi-Channel Analog Output